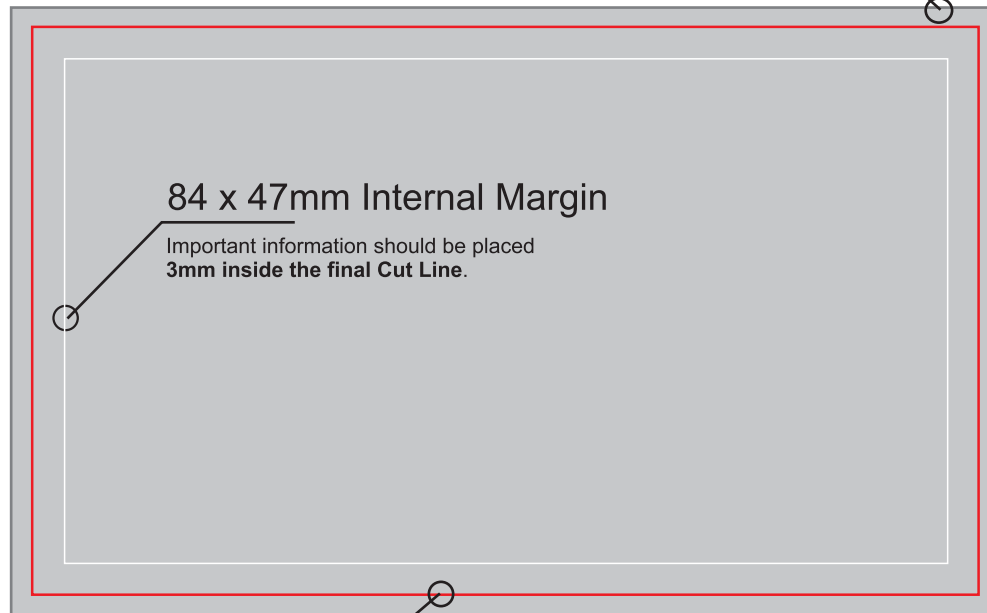


Business Card Artwork Specs

94 x 58mm Print File (including Bleed)

The background colour or image must continue into the "Bleed" area to avoid a white border.



84 x 47mm Internal Margin

Important information should be placed 3mm inside the final Cut Line.

90 x 54mm Cut Line

The red line represents the final Cut Line where the "Bleed" area will be trimmed off. Do not put any important information in the bleed area. **It will be trimmed off.**

Your artwork needs to be supplied following these specs to print correctly.

This includes 2mm bleed on all sides.

To ensure no information is lost, please keep all important information inside the specified trim area. (3mm internal margin)

allsigns print & design do not correct, modify or proof read your artwork. All files are printed as supplied to us.

allsigns print & design can not accept responsibility for errors due to files that do not meet these specifications.

File Specifications:

- PDF File format
- CMYK Colour format
- All Fonts converted to Curves/Outlines
- Images at min 300 dpi